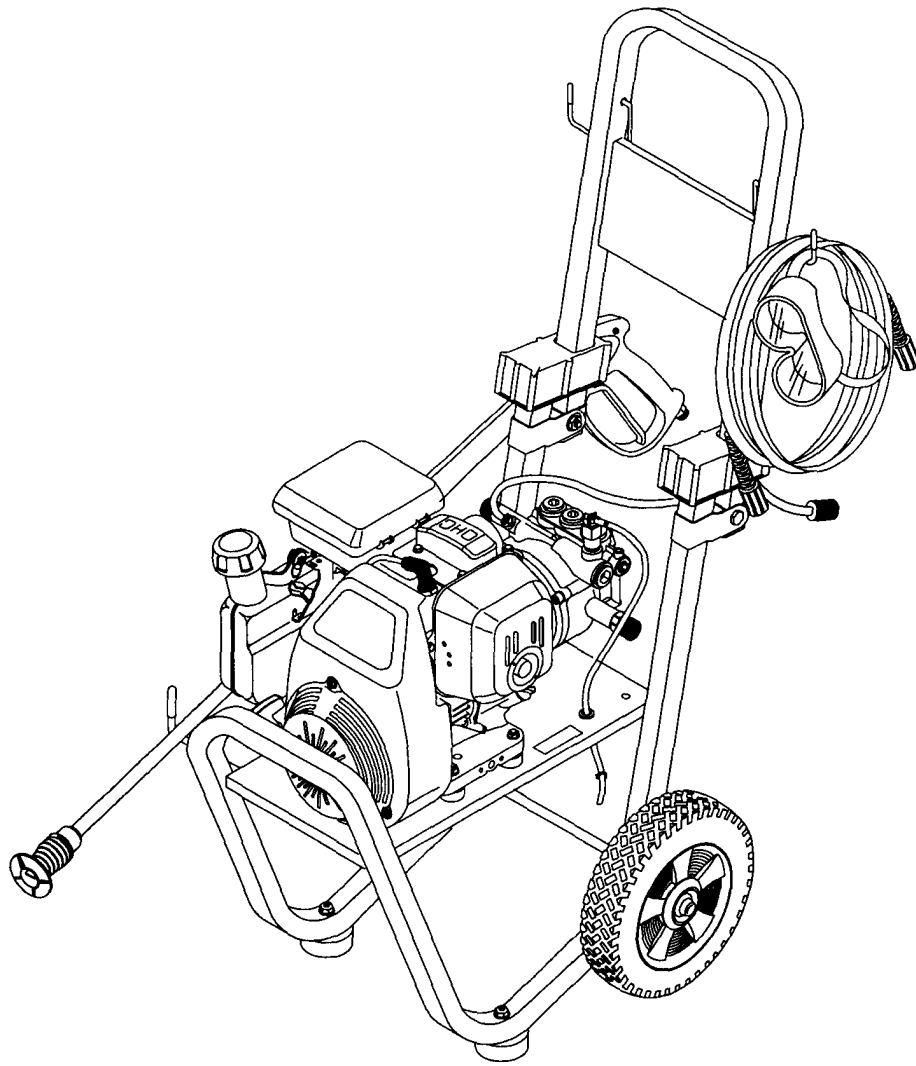


Parts Manual

Mfg. No: 1296-0
1,800 PSI



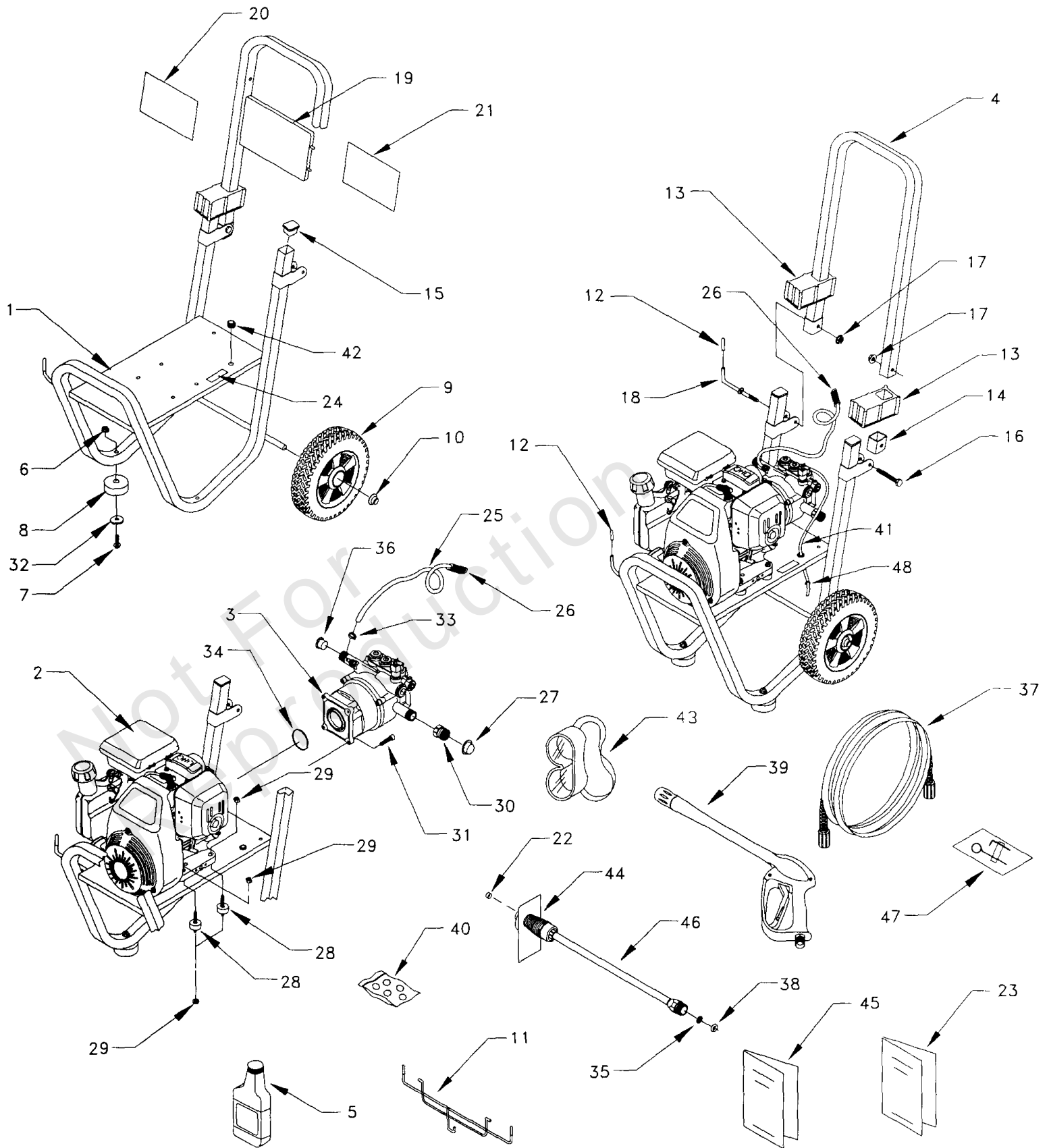
Model Components	Page
Main Unit.....	4
Pump.....	6
Torque Specification Chart.....	10

Not For
Reproduction

Main Unit

Note: Unless noted otherwise, use the standard torque specifications

Mfg. No: 1296-0



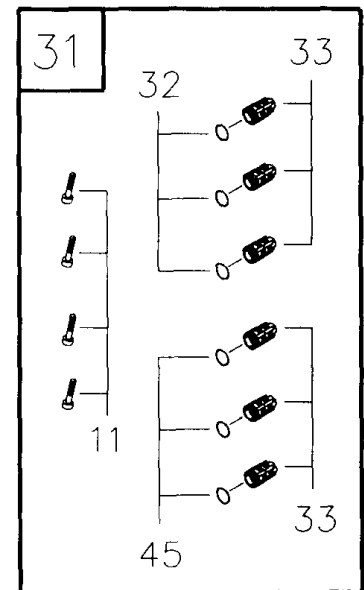
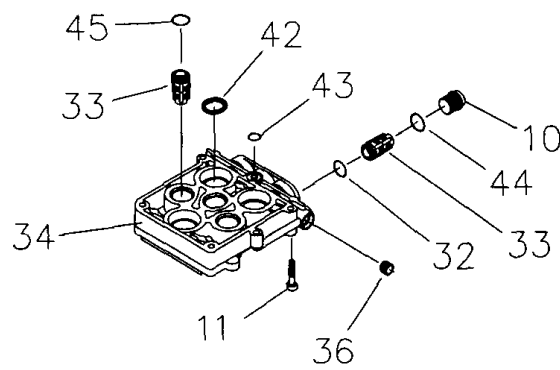
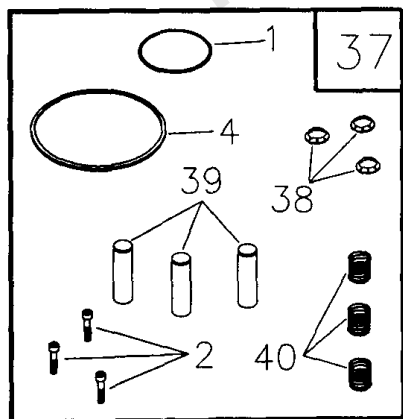
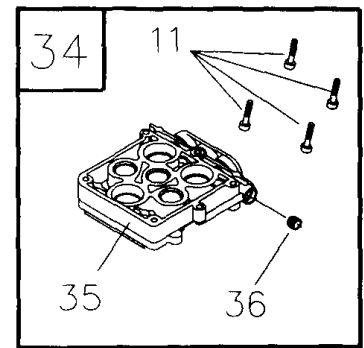
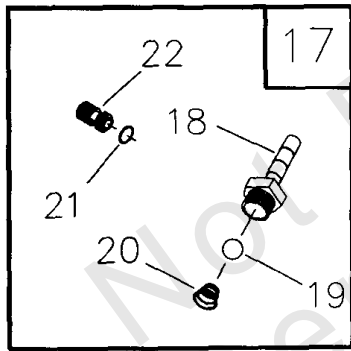
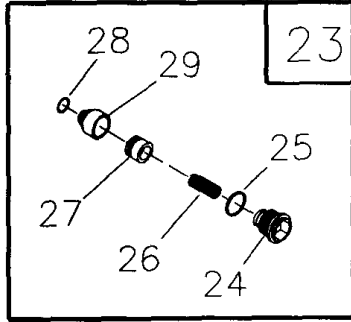
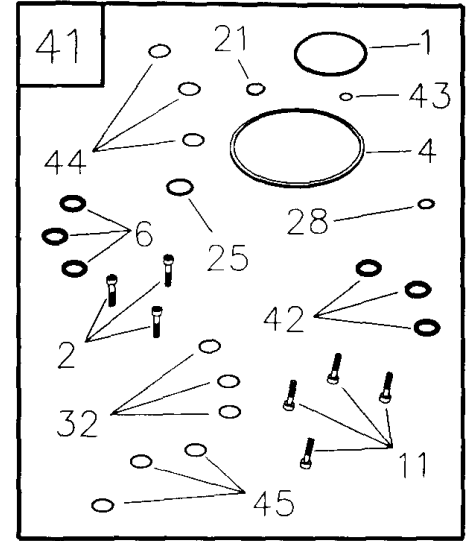
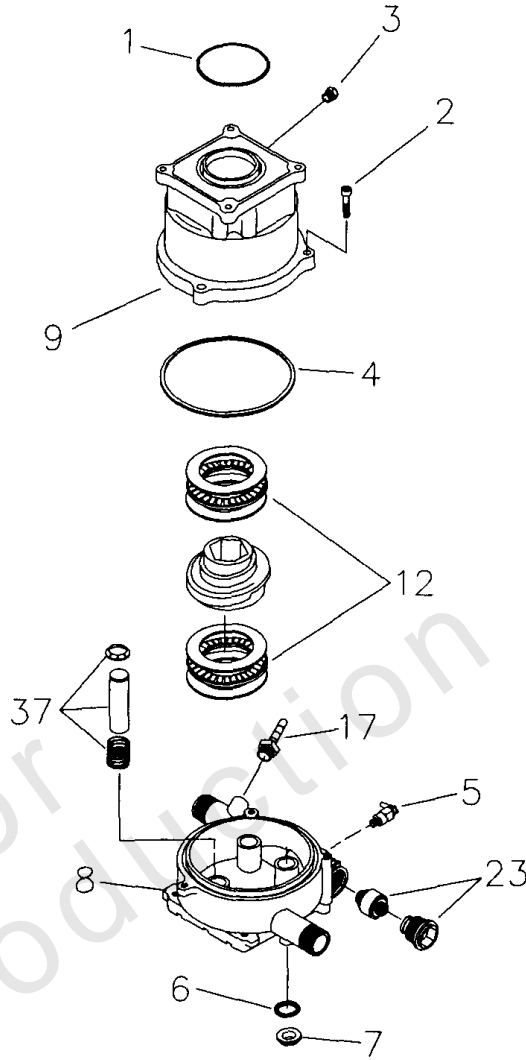
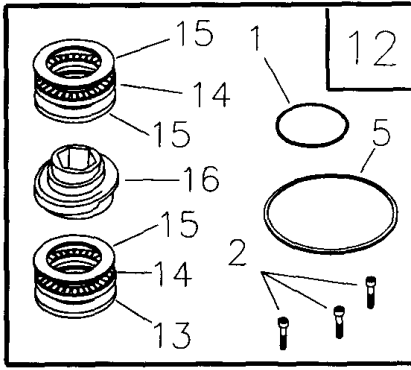
Main Unit

REF NO	PART NO	QTY	DESCRIPTION
1	AB2789	1	BASE, HSPW
2	~NSP	1	ENGINE
3	-----	1	ASSY, SAE - EG 3/4" Thermal -(For Replacement, order 198347GS)
3	198347GS	1	REPLACEMENT PUMP ASSEMBLY
4	AB2534	1	HANDLE
5	BB3061B	1	OIL BOTTLE, 20 oz
6	52858	2	NUT, M8 Locking Flange
7	39287	2	HHCS, M8 - 1.25 x 45
8	27007	2	MOUNT, Rubber Foot
9	B2142	2	WHEEL, 2" x 9" Black Mag
10	75402	2	PUSHNUT
11	B2168A	1	WIREFORM, Bagged
12	B1460	2	CAP, Vinyl
13	B1779	2	COVER, Hinge
14	B2347	2	CAP, End
15	46476	2	CAPLUG
16	31669	1	BOLT, 1/4" - 20 x 1-3/4" Carriage
17	B2071	2	NUT, 1/4" - 20 Locking Flange
18	B2759	1	HOOK, Square Neck 1/4" - 20
19	B1631A	1	BILLBOARD
20	B5158	1	DECAL, 1800 PSI
21	B2796	1	DECAL, Instructions
22	92659	1	NOZZLE, Replacement
23	B3294	1	MANUAL, Engine
24	20566	1	DECAL, 1-800 #
25	A1040A	1	HOSE, Chemical
26	A1041	1	FILTER, Chemical Hose
27	A1408	1	CAP, Garden Hose Inlet
28	21217	4	MOUNT, Vibration
29	67989	8	NUT, M8 Flange Serrated
30	21424	1	CONNECTOR, Garden Hose
31	23707	4	SHCS, 5/16" - 24 x 1"
32	50190	2	WASHER, Flat .34" x 1"
33	48031G	1	CLAMP, Hose
34	B2218	1	O-RING
35	B4224	1	SCREEN, Gun Inlet
36	97100	1	CAP, High Pressure
37	B3607	1	HOSE, 1/4" x 25'
38	97837	1	O-RING, Hi-Pressure Transfer
39	B3263	1	GUN, High Pressure
40	B5830	1	KIT, Maintenance
41	B3107	1	HOSE, Thermal Relief
42	30809	1	GROMMET, Drain Hose
43	87815	1	GOGGLES, Safety
44	97566	1	TAG, Nozzle
45	B5159	1	MANUAL, Owners
46	B3335B	1	WAND, Adjustable Nozzle
47	B2163	1	KIT, Nozzle Cleaning
48	48031B	1	CLAMP, Hose

Pump

Note: Unless noted otherwise, use the standard torque specifications

Mfg. No: 1296-0



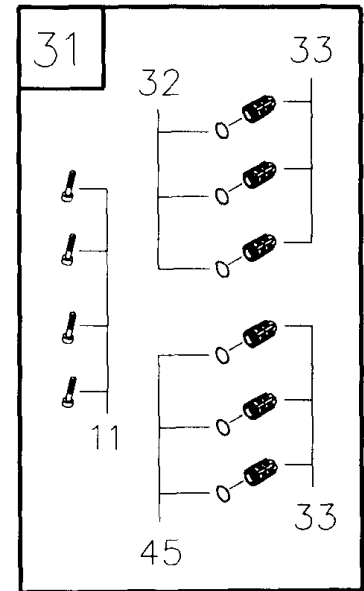
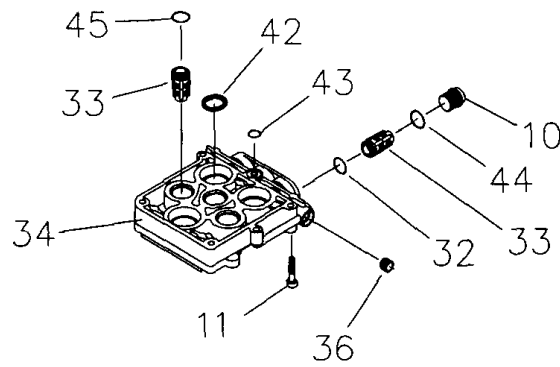
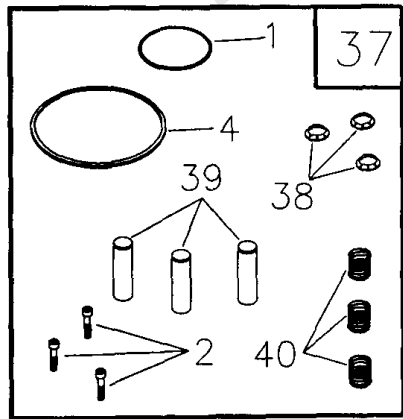
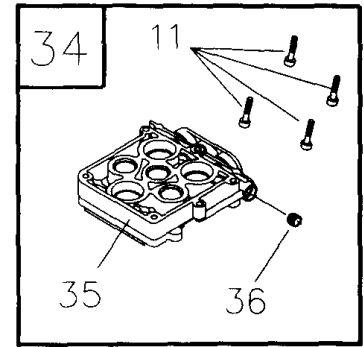
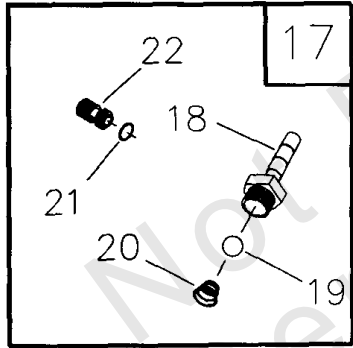
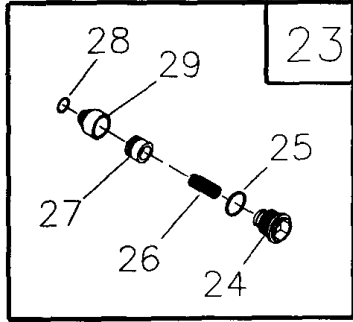
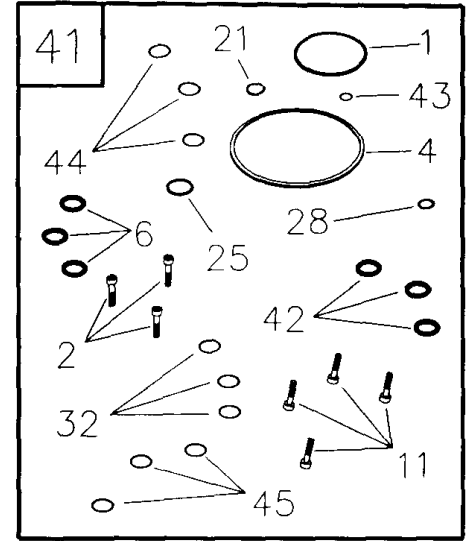
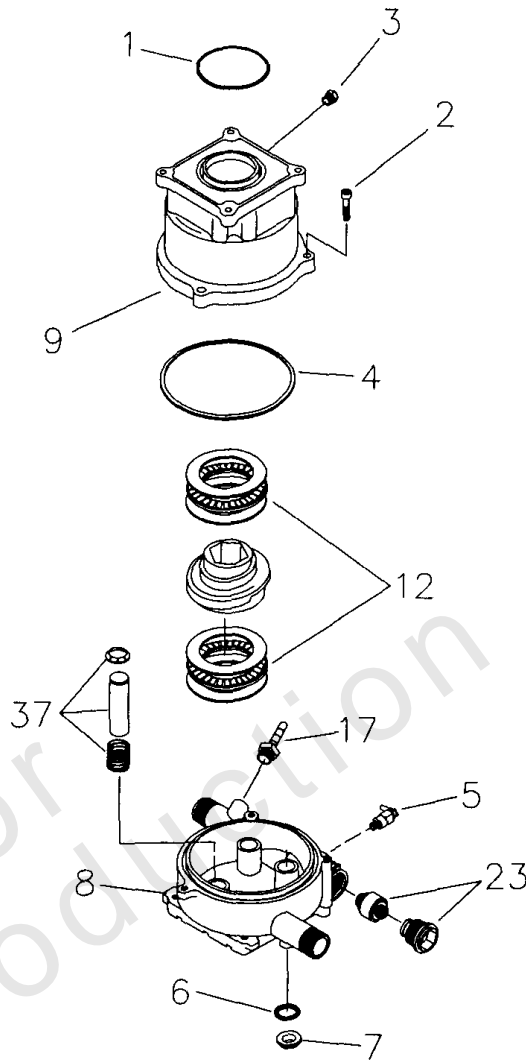
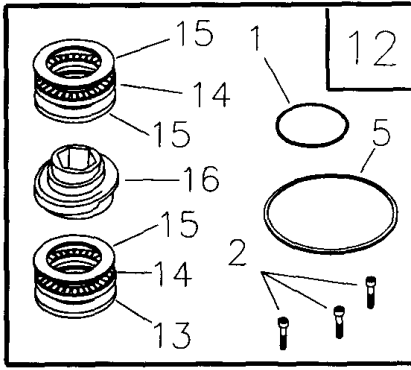
Pump

REF NO	PART NO	QTY	DESCRIPTION
1	B2218	1	O-RING, 1.625 ID x .103
2	97962	3	SHCS, M6-1 x 25
3	B5710	1	VALVE, 1/8 npt 1-5 PSI
4	97835	1	O-RING, Housing Seal
5	B3090	1	VALVE, Thermal Relief
6	93680	3	SEAL, Oil Piston
7	97831	3	SPACER, Pilot
8	B2702	1	HOUSING, Piston
9	B4813	1	ADAPTER, Engine
10	97841	3	CAP, Outlet Check Valve
11	40946	4	SHCS, M6-1.D x 35
12	185715	0	KIT, AXIAL CAM
1	-----	1	O-RING, Engine Seal
2	-----	3	SHCS, M6-1 x 25
4	-----	1	O-RING, Housing Seal
13	-----	1	WASHER, Brg. 36 x 65 x 6Thk
14	-----	2	ASSY., Brg. Cage 45 x 65
15	-----	3	WASHER, Brg. 45 x 65 x 1
16	-----	1	CAM, Axial 5.6 3/4"SAE
17	B3829	0	KIT, CHEM INJECT
18	-----	1	FITTING, Chem Inject
19	-----	1	BALL, Chem Inject
20	-----	1	SPRING, Chem Inject
21	-----	1	O-RING, Venturi
22	-----	1	VENTURI, Chem Inject
23	185728	0	KIT, UNLOADER 2000
24	-----	1	CAP, Unloader
25	-----	1	O-RING, Unloader Cap
26	-----	1	SPRING, Unloader
27	-----	1	PISTON, Unloader
28	-----	1	O-RING, Unloader Seat
29	-----	1	SEAT, Unloader
31	185712	0	KIT, CHECK VALVES
11	-----	4	SHCS, M6-1.0 x 35
32	-----	3	O-RING, Check Valve
33	-----	6	ASSY., Check Valve
45	-----	3	O-RING, Check Valve, White
34	185722	0	KIT, HEAD ALUM EG
11	-----	4	SHCS, M6-1.0 x 35
35	-----	1	HEAD, Pump
36	-----	1	PLUG, 1/8-28
37	185713	0	KIT, PISTON & SPRING
1	-----	1	O-RING, Engine Seal
2	-----	3	SHCS, M6-1 x 25
4	-----	1	O-RING, Housing Seal
38	-----	3	RETAINER, Piston Spring
39	-----	3	PISTON, Dia. 15 x 65
40	-----	3	SPRING, Piston Return
41	B5752	0	KIT, O-RING/SEAL 2000
1	-----	1	O-RING, Engine Seal
2	-----	3	SHCS, M6-1 x 25

Pump

Note: Unless noted otherwise, use the standard torque specifications

Mfg. No: 1296-0



Pump

REF NO	PART NO	QTY	DESCRIPTION
4	-----	1	O-RING, Housing Seal
6	-----	3	SEAL, Oil Piston
11	-----	4	SHCS, M6-1.0 x 35
21	-----	1	O-RING, Venturi
25	-----	1	O-RING, Unloader Cap
28	-----	1	O-RING, Unloader Seat
32	-----	3	O-RING, Check Valve
42	-----	3	SEAL, Double-Lip
43	-----	1	O-RING, High Pressure Transfer
44	-----	3	O-RING, Outlet CV Cap
45	-----	3	O-RING, Check Valve, White

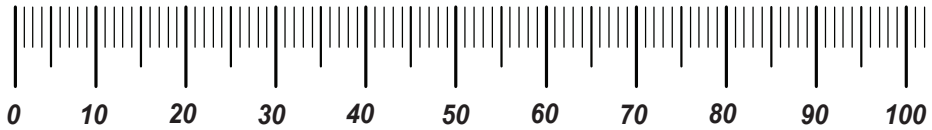
Not For Reproduction

Hardware Identification & Torque Specifications

Torque Specification Chart								
FOR STANDARD METRIC MACHINE HARDWARE (Tolerance ± 20%)								
Property Class	5.6		8.8		10.9		12.9	
	Class 5.6		Class 8.8		Class 10.9		Class 12.9	
Size Of Hardware	in/lbs	Nm.	in/lbs	Nm.	in/lbs	Nm.	in/lbs	Nm.
	ft/lbs		ft/lbs		ft/lbs		ft/lbs	
M3	5.88	.56	13.44	1.28	19.2	1.80	22.92	2.15
M4	13.44	1.28	30.72	2.90	43.44	4.10	52.56	4.95
M5	26.4	2.50	60.96	5.75	5.97	8.10	7.15	9.7
M6	44.64	4.3	7.3	9.9	10.3	14	12.1	16.5
M7	5.2	7.1	12.1	16.5	16.9	23	19.9	27
M8	7.7	10.5	17.7	24	25	34	29	40
M10	15	21	35	48	50	67	59	81
M12	26	36	61	83	86.2	117	103	140
M14	42	58	101	132	136	185	162	220
M16	64	88	147	200	210	285	250	340
M18	89	121	202	275	287	390	346	470
M20	126	171	290	390	405	550	486	660
M22	169	230	390	530	559	745	656	890
M24	217	295	497	375	708	960	840	1140
M27	320	435	733	995	1032	1400	1239	1680
M30	435	590	995	1350	1401	1900	1681	2280
M33	590	800	1349	1830	1902	2580	2278	3090
M36	759	1030	1740	2360	2441	3310	2935	3980
M39	988	1340	2249	3050	3163	4290	3798	5150

Torque Specification Chart						
FOR STANDARD MACHINE HARDWARE (Tolerance ± 20%)						
Hardware Grade	No Marks		SAE Grade 5		SAE Grade 8	
	SAE Grade 2		SAE Grade 5		SAE Grade 8	
Size Of Hardware	in/lbs	Nm.	in/lbs	Nm.	in/lbs	Nm.
	ft/lbs		ft/lbs		ft/lbs	
8-32	19	2.1	30	3.4	41	4.6
8-36	20	2.3	31	3.5	43	4.9
10-24	27	3.1	43	4.9	60	6.8
10-32	31	3.5	49	5.5	68	7.7
1/4-20	66	7.6	8	10.9	12	16.3
1/4-28	76	8.6	10	13.6	14	19.0
5/16-18	11	15.0	17	23.1	25	34.0
5/16-24	12	16.3	19	25.8	29	34.0
3/8-16	20	27.2	30	40.8	45	61.2
3/8-24	23	31.3	35	47.6	50	68.0
7/16-14	30	40.8	50	68.0	70	95.2
7/16-20	35	47.6	55	74.8	80	108.8
1/2-13	50	68.0	75	102.0	110	149.6
1/2-20	55	74.8	90	122.4	120	163.2
9/16-12	65	88.4	110	149.6	150	204.0
9/16-18	75	102.0	120	163.2	170	231.2
5/8-11	90	122.4	150	204.0	220	299.2
5/8-18	100	136	180	244.8	240	326.4
3/4-10	160	217.6	260	353.6	386	525.0
3/4-16	180	244.8	300	408.0	420	571.2
7/8-9	140	190.4	400	544.0	600	816.0
7/8-14	155	210.8	440	598.4	660	897.6
1-8	220	299.2	580	788.8	900	1,244.0
1-12	240	326.4	640	870.4	1,000	1,360.0

The guides and ruler furnished below are designed to help you select the appropriate hardware.

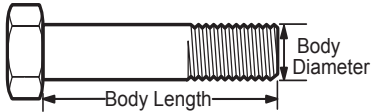


Nut, M8

Thread Diameter (mm)

Inside Diameter (in) Threads per inch

Nut, 1/2-16

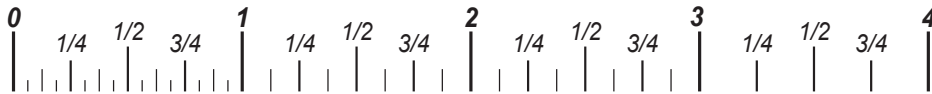


Screw, M8- 1.25 x 25

Thread Diameter (mm) Distance between threads (mm) Body Length (mm)

Body Diameter Threads per inch Body Length (in)

Screw, 1/2- 16 x 2



Standard Hardware Sizing

When a washer or nut is identified as 1/2" (M8), this is the *Nominal size*, meaning the *inside diameter* is 1/2 inch (8mm metric thread diameter); if a second number is present it represents the *threads per inch* (distance between threads).

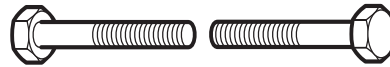
When bolt or capscrew is identified as 1/2 - 16 x 2" (M8 - 1.25 x 50), this means the *Nominal size*, or body diameter is 1/2 inch (8mm metric thread diameter), the second number, 16, represents the *threads per inch*, (*distance between threads*). The final number is the body length of the bolt or screw, 2 inches (50mm).

NOTES

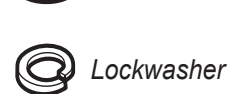
- These torque values are to be used for all hardware excluding: locknuts, self-tapping screws, thread forming screws, sheet metal screws and socket head setscrews.
- Recommended seating torque values for locknuts:
 - for prevailing torque locknuts - use 65% of grade 5 torques.
 - for flange whizlock nuts and screws - use 135% of grade 5 torques.
- Unless otherwise noted on assembly drawings, all torque values must meet this specification.

Common Hardware Types

Hex Head Capscrew



Washer



Carriage Bolt



Hex Nut

Wrench & Fastener Size Guide

1/4" Bolt or Nut Wrench—7/16"	5/16" Bolt or Nut Wrench—1/2"	3/8" Bolt or Nut Wrench—9/16"	7/16" Bolt or Nut Wrench (Bolt)—5/8" Wrench (Nut)—11/16"	1/2" Bolt or Nut Wrench—3/4"
M6 Bolt or Nut Wrench—10mm	M8 Bolt or Nut Wrench—13mm	M10 Bolt or Nut Wrench—17mm	M12 Bolt or Nut Wrench—19mm	M14 Bolt or Nut Wrench—22mm

